

Ball Valve

Data sheet
ZL-4013 series



Description

Description

- ∞ Low flow resistance
- ∞ Excellent pressure resistance
- ∞ Rapid opening and close
- ∞ Compact structure and small volume
- ∞ Equipped with temperature gauge

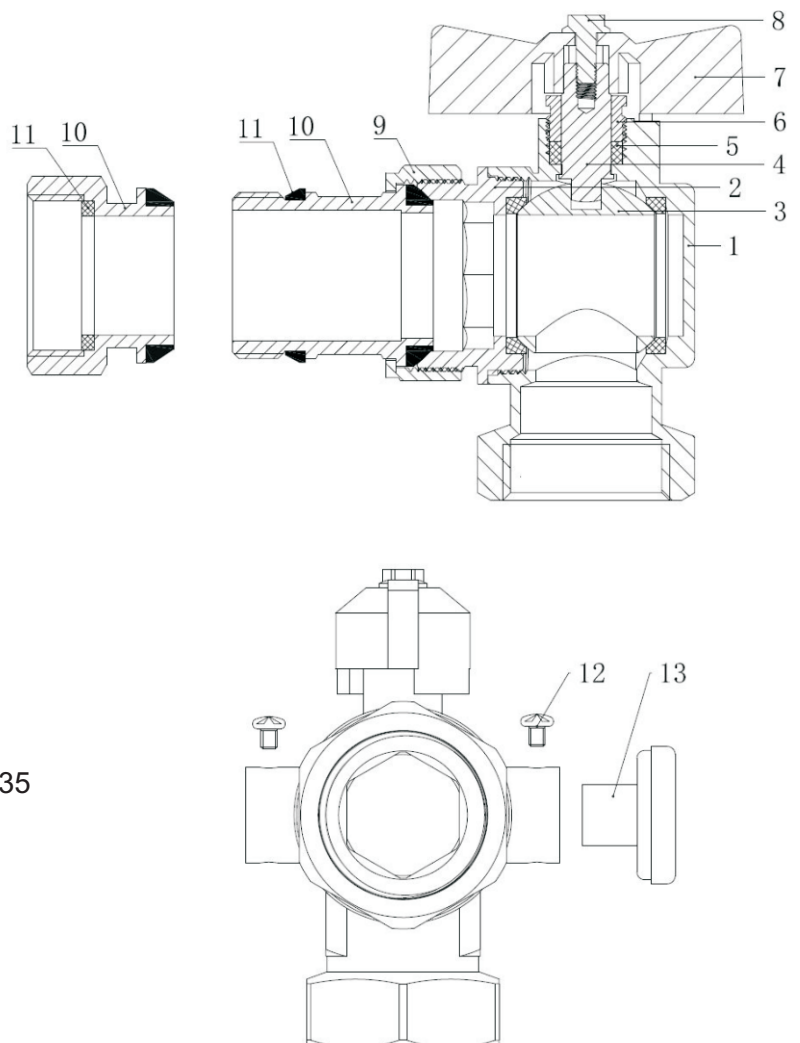
Performance

- ∞ Applicable medium: Water、 glycol solutions
Max. percentage of glycol is 30%
- ∞ Working pressure: $\leq 1.6\text{mpa}$
- ∞ Operating temperature: $0\sim 100^{\circ}\text{C}$
- ∞ Thread standard: ISO228-1



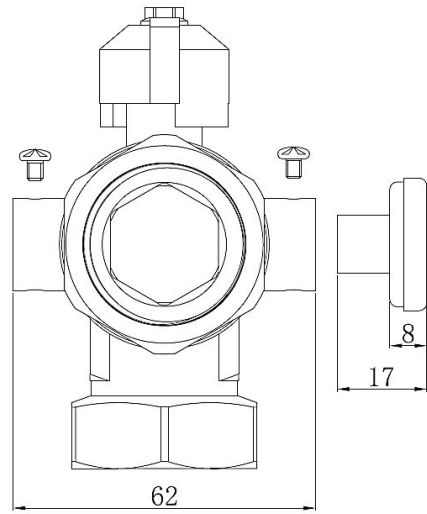
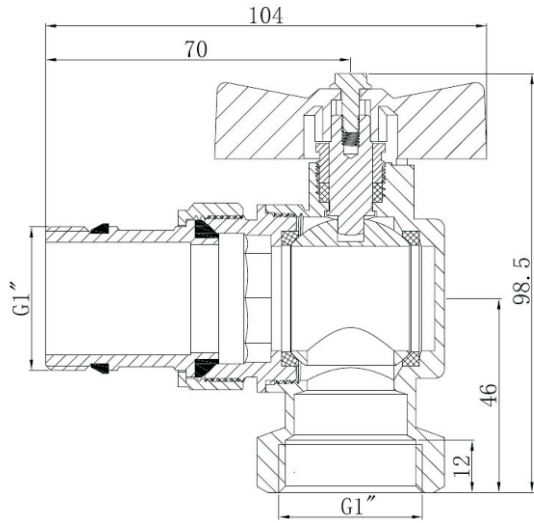
Materials

No.	Components	Material
1	Valve Body	Brass
2	Valve nut	Brass
3	Valve Ball	Brass
4	Valve Stem	Brass
5	Packing	PTFE
6	Gland Nut	Brass
7	Handle	AL
8	Lock Nut	Q235
9	hexagon nut	Brass
10	Straight union joint	Brass
11	Seals	EPDM
12	screw	A3
13	temperature gauge	Brass&Q235

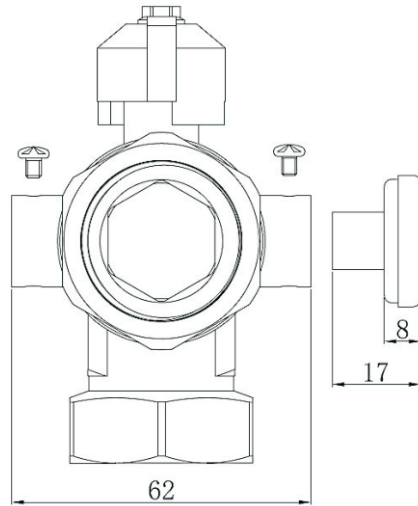
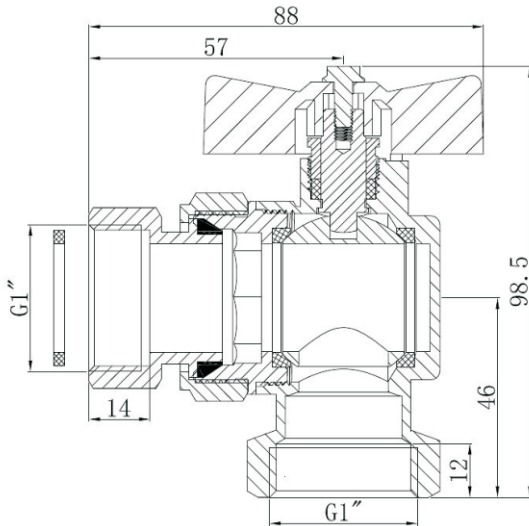


Dimensions

Code:ZL401325



Code:ZL401325F



Code:ZL401325M

