

# ANGLE THERMOSTATIC RADIATOR VALVE

## Data Sheet

### ZL-2115





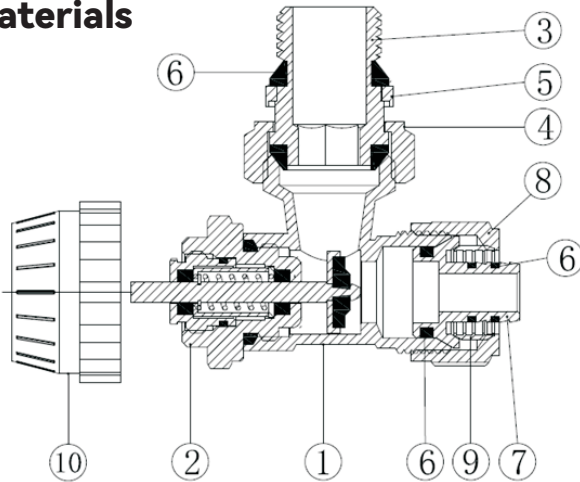
# ANGLE THERMOSTATIC RADIATOR VALVE

The TRV in both manual or automatic is used for end controlling of heating system. It can adjust automatically the quantity of heat through the radiator to maintain the setting temperature in the room.

## Data Sheet

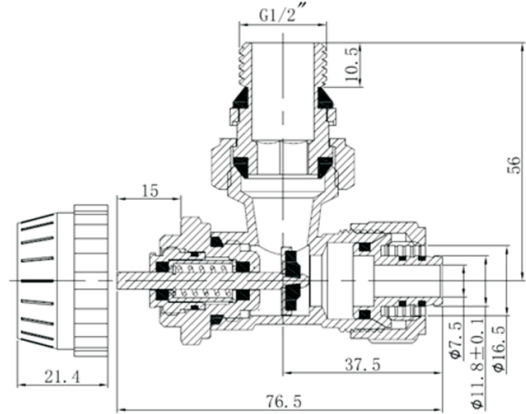
### ZL-2115

### Materials



No.	Components	Material
1	Valve Body	Brass
2	Spring valve core	Brass
3	Straight union joint	Brass
4	hexagon nut	Brass
5	Check ring	Brass
6	Seals	EPDM
7	Hose union	Brass
8	hexagon nut	Brass
9	Cutting sleeve	Brass
10	Hand Wheel	ABS

### Dimensions



## THERMOSTATIC HEAD



ZL-2014B    ZL-2014C    ZL-2014F    ZL-2014G



ZL-2014H    ZL-2014W    ZL-2417

### Code Specification Dimensions

ZL211515    DN15    1/2" Mx 1216

### Performance

- ⊗ Applicable medium: cold water, hot water
- ⊗ Working pressure: ≤0.6Mpa
- ⊗ Operating temperature: 0~100°C
- ⊗ Thread standard: ISO228-1

- ⊗ Temperature lag: 1.0K
- ⊗ Range of temp adjustment: 6~28°C
- ⊗ Maximum working pressure: 10bar
- ⊗ Maximum allowable differential pressure: 1bar
- ⊗ Heat resistance: 110°C
- ⊗ Stroke: 3mm
- ⊗ Thread: M30x1.5

### Match between the scale and temperature

Scale Value	0	*	1	2	3	4	5
Room Temperature	Close	6°C	12°C	16°C	20°C	24°C	28°C

Note: Unscrew the handwheel and manually install the thermostatic head on the thermostatic radiator valve until it is tightened. No wrench is allowed.