

# Adjustable Constant Temperature Mixing Valve

## Data sheet

### ZL-2132



## Description

The mixing valve is designed to maintain a certain temperature in the hot water system.

The mixing valve eliminates the danger of completely cutting off the cold water, which allows it to be used in public buildings, schools and kindergartens.

The mixing valve responds quickly to temperature and pressure



## Technical Specifications

### Materials

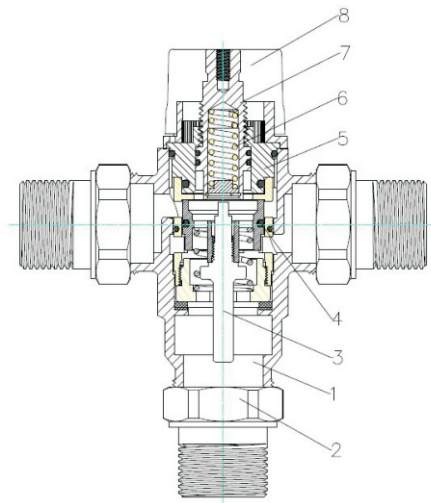
Body	Brass
connections	Brass
Hand wheel	ABS
Seals	EPDM
Spring	Stainless steel

### Per formance

Maximum static pressure	16bar
Working pressure	≤ 4bar
Temperature adjustment range	38~60°C
Temperature control precision	± 2°C
Surface	Chrome Plated

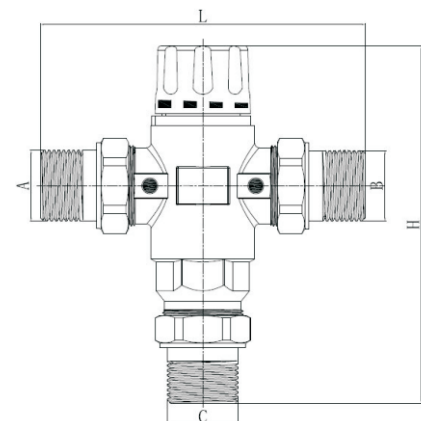
## Characteristic

No.	Components
1	Valve body
2	Connections
3	Temperature-sensing element
4	Seals
5	Lock Nut
6	Spring
7	Regulating stem
8	Hand wheel



## Dimensions

Code	A	B	C	H	L
ZL21321212	1/2"	1/2"	1/2"	150	115
ZL21323434	3/4"	3/4"	3/4"	153	121
ZL21320101	1"	1"	1"	158	125



# Hydraulic Characteristics

