

Electric Three-way Valve

Data sheet

ZL-2231



Description

Electric three-way valve is used for radiator, floor heating, hot water, cooler, etc., to maintain the temperature of mixed fluid. The valve is installed on a bypass line and can only be used in distribution mode; If used in mixing mode, a valve will need to be installed in the return line.

Electric three-way valve can be manually controlled by rotating the safety helmet, or a temperature controller can be installed



Technical Specifications

Maximum working pressure: 10bar

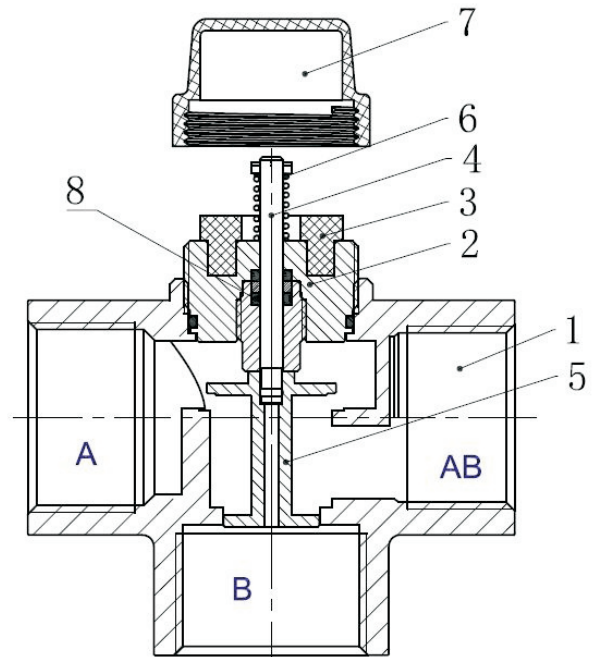
Thread specification: G1" (ISO228-1)

Maximum working temperature : 120 °C

T/Cconnection head: M30x1.5

Characteristic components

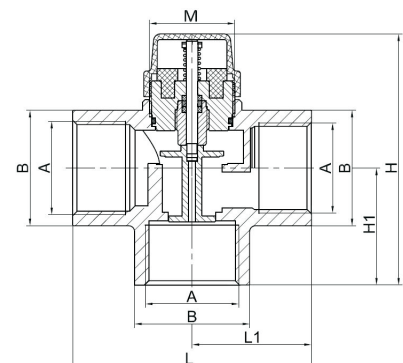
No.	Components	Materials
1	Valve body	Brass
2	Cap	Brass
3	Rubber boot	NBR
4	Valve stem	A304
5	Valve plug	Brass
6	Spring	A304
7	Safety helmet	PE
8	Seals	EPDM



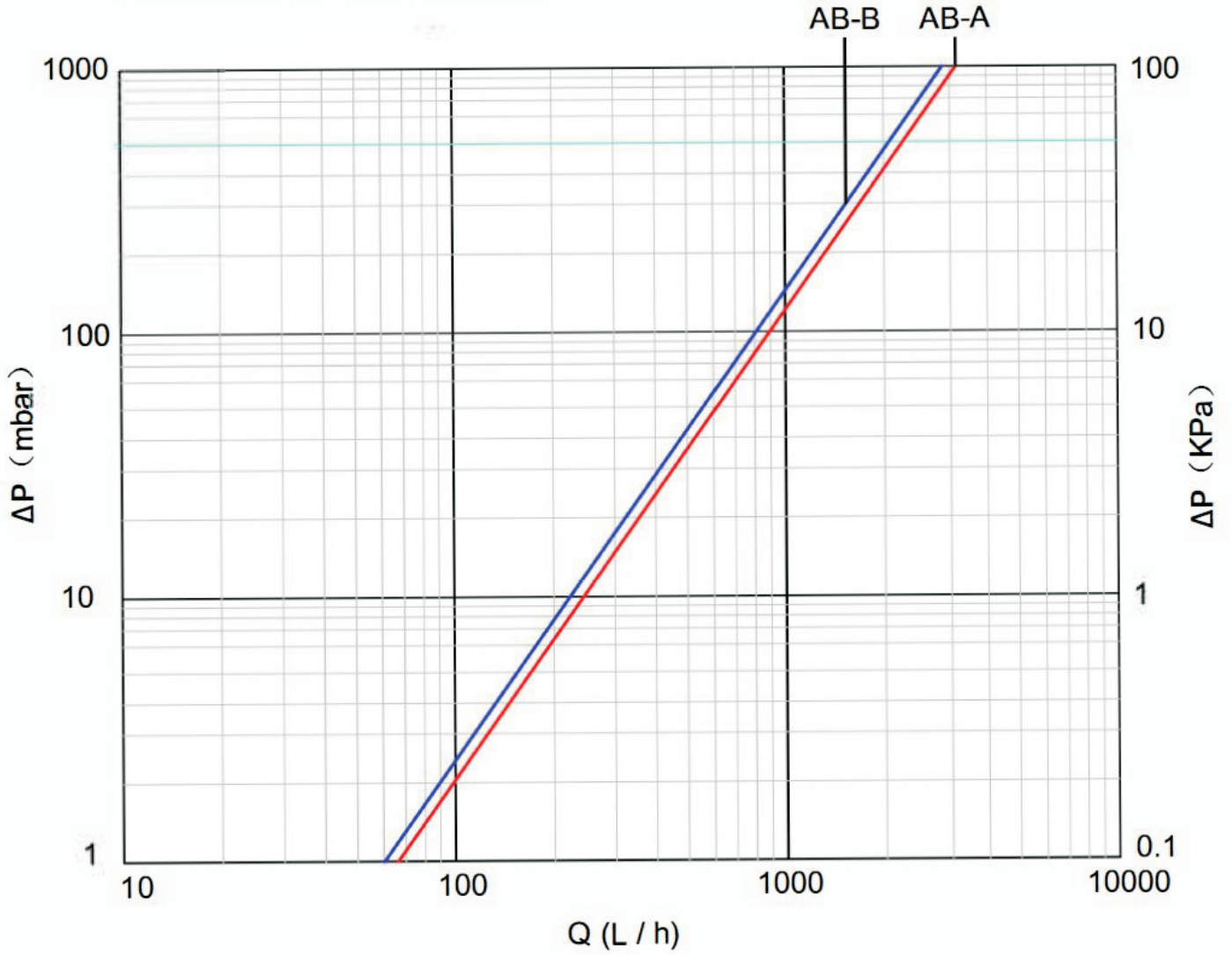
Dimensions

Code: ZL2231252525

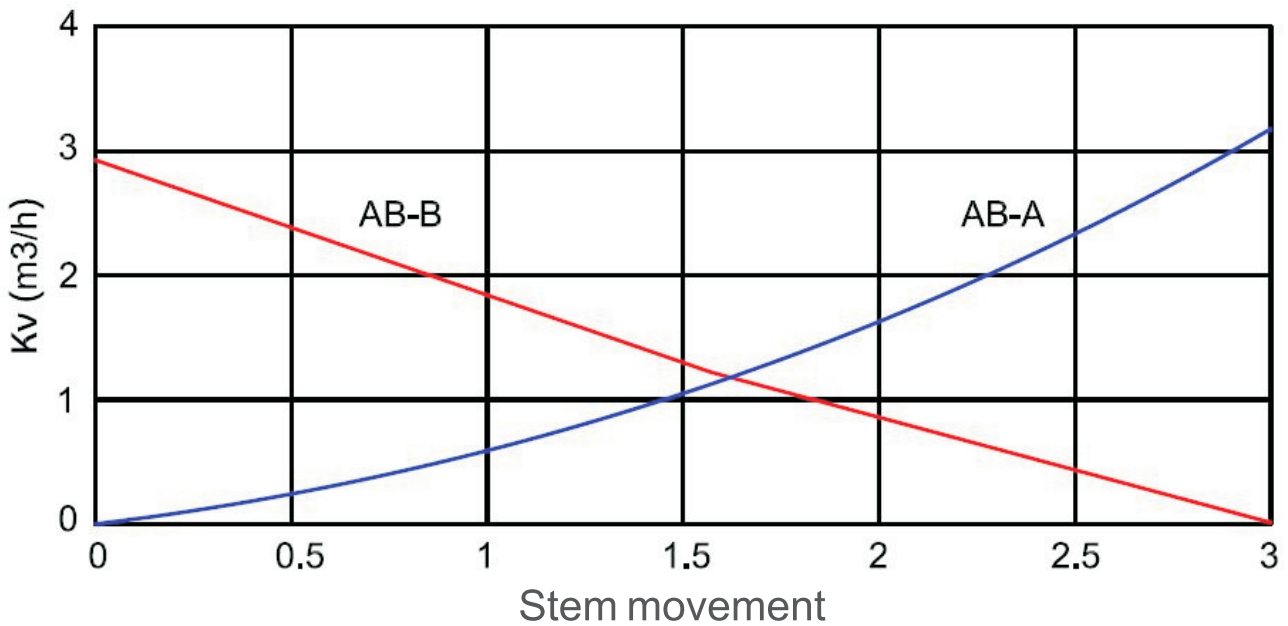
A	B	H	H1	L	L1
G1"	40.5	90	41	84	42



– AB-A: $K_v=3.12$ AB-B: $K_v=2.85$



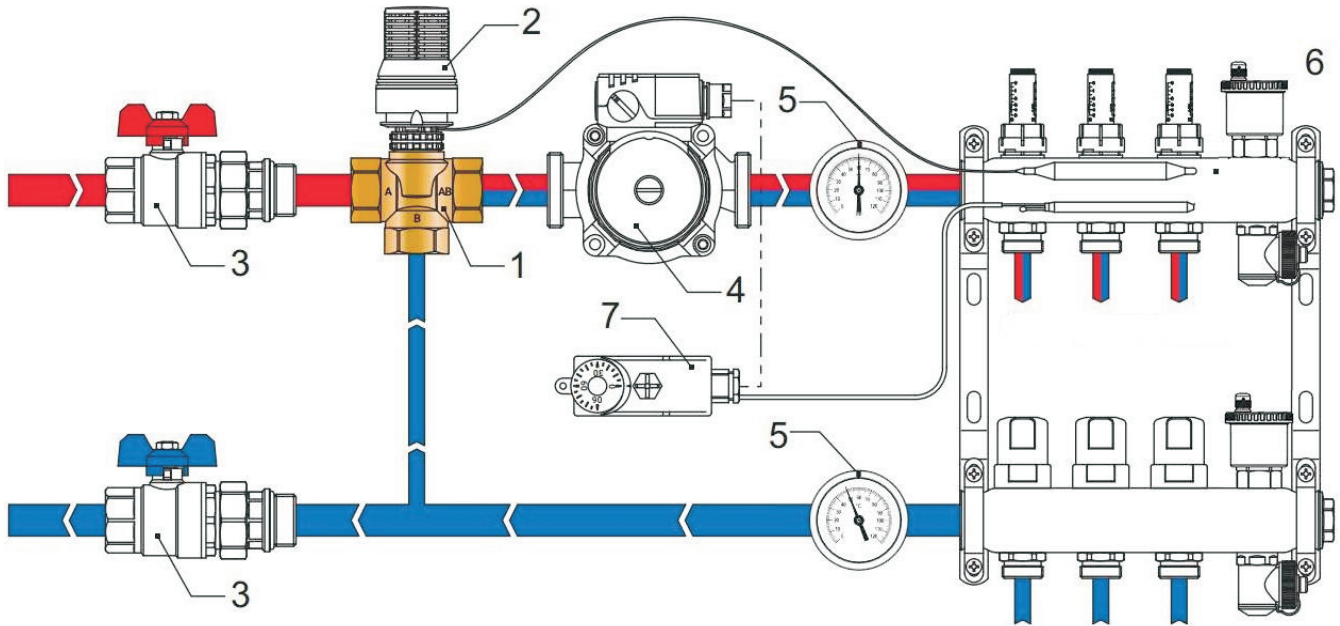
Flow characteristic



At position "0", stem is fully lowered, AB-A channel is closed, and AB-B channel is open.

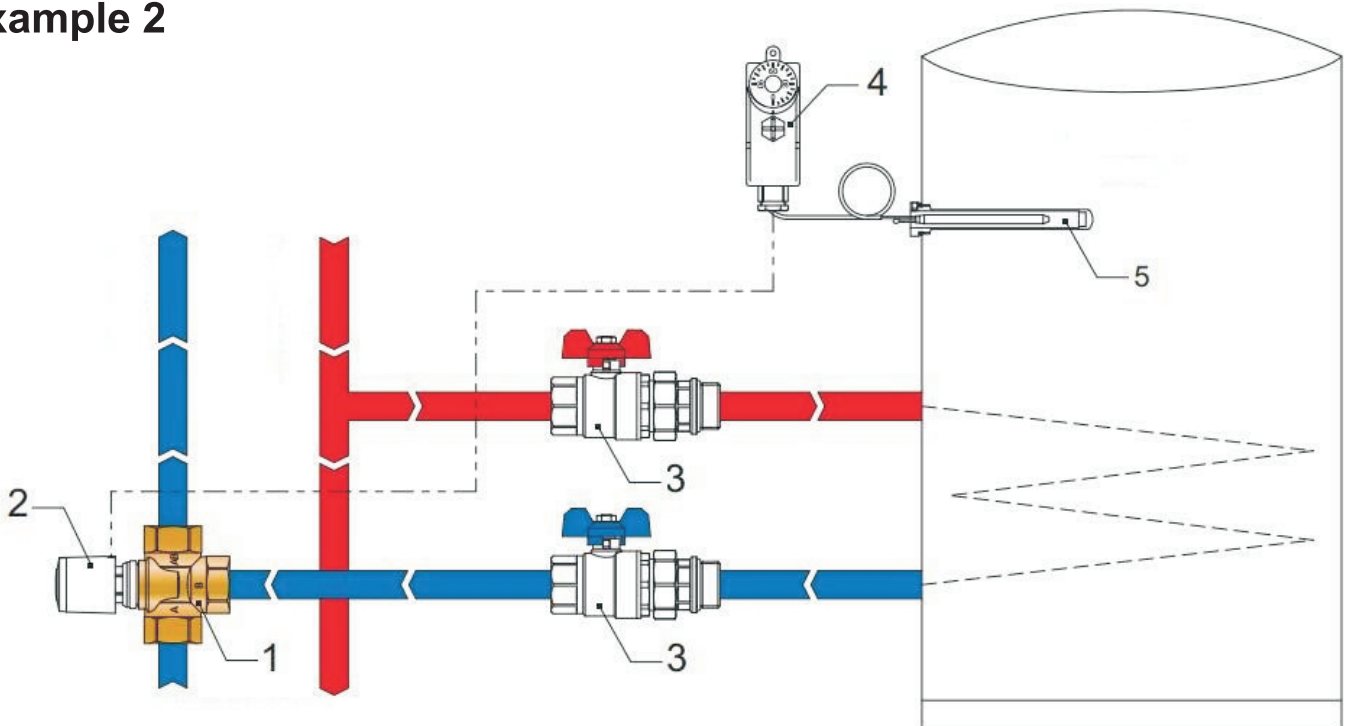
Installation Example

Example 1



- 1-Electric three-way valve 2-Remote temperature controller 3-Ball valve 4-Pump
 5-Temperature meter 6-Manifolds 7-Thermostat

Example 2



- 1-Electric three-way valve 2-Electric actuator 3-Ball valve 4-Thermostat 5-Sensor housing