

Mini Ball Valve

Data sheet
ZL-4173 series



Description

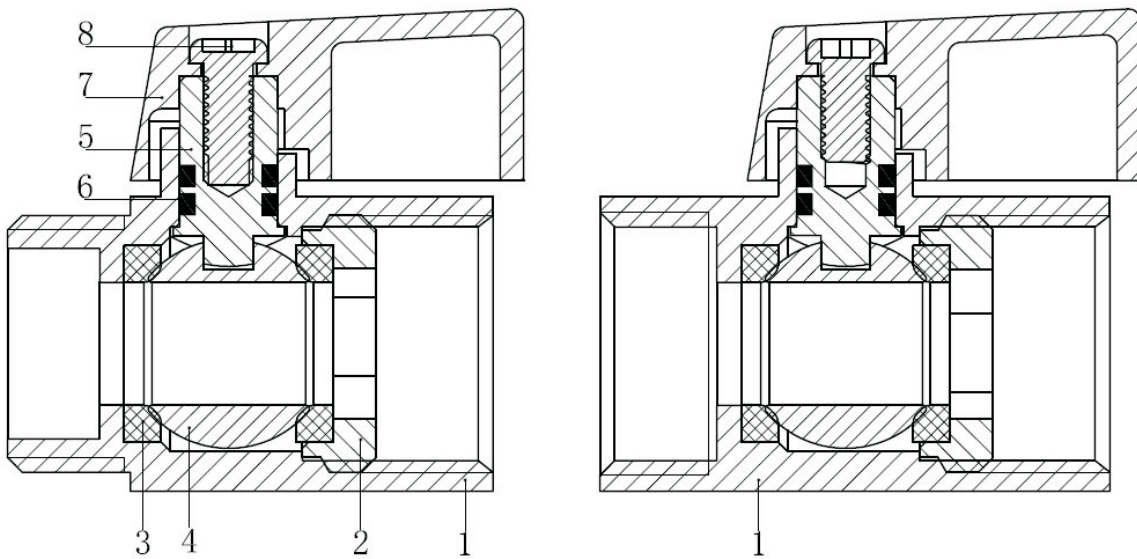
- ∞ Low flow resistance
- ∞ Excellent pressure resistance
- ∞ Rapid opening and close
- ∞ Compact structure and small volume

Performance

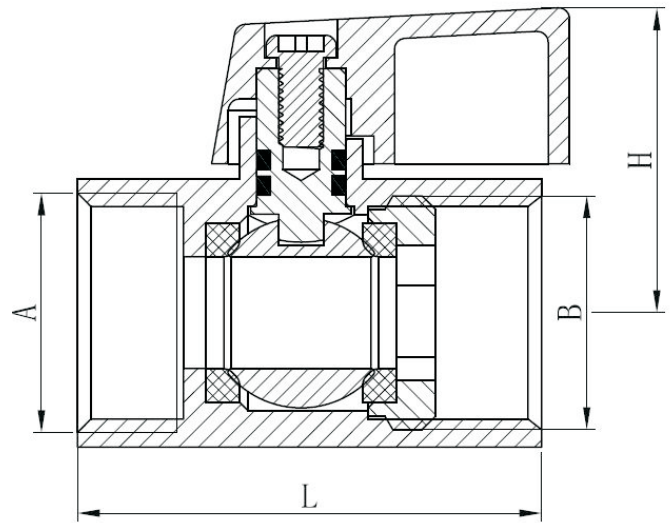
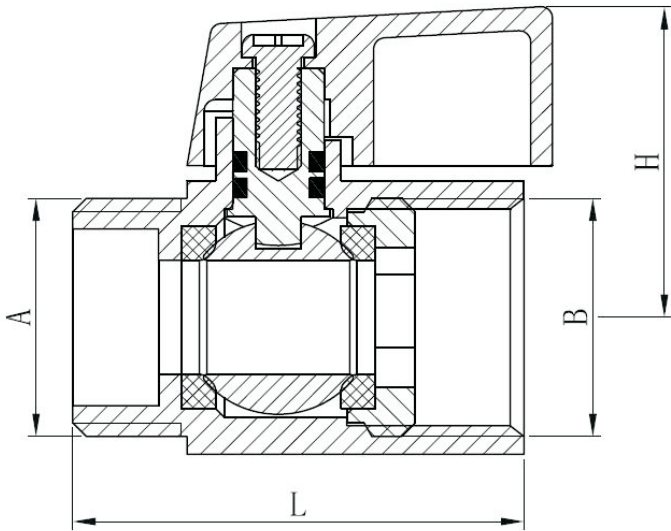
- ∞ Applicable medium: Water、 glycol solutions
Max. percentage of glycol is 30%
- ∞ Working pressure: $\leq 1.6\text{mpa}$
- ∞ Operating temperature: 0~100°C



Materials



No.	Components	Material
1	Valve Body	Brass
2	Valve nut	Brass
3	Plastic spring	PTFE
4	Valve Ball	Brass
5	Valve Stem	Brass
6	Seals	EPDM
7	Handle	AL
8	Lock Nut	Q235



Code	A	B	L	H
ZL417308FM	G1/4" M	G1/4" F	39	25.8
ZL417310FM	G3/8" M	G3/8" F	39	25.8
ZL417315FM	G1/2" M	G1/2" F	39.5	27
ZL417310FF	G3/8" F	G3/8" F	39	25.8
ZL417315FF	G1/2" F	G1/2" F	41.5	27
ZL4173M08FM	NPT1/4" M	NPT1/4" F	39	25.8
ZL4173M10FM	NPT3/8" M	NPT3/8" F	39	25.8
ZL4173M15FM	NPT1/2" M	NPT1/2" F	39.5	27
ZL4173M08FF	NPT1/4" F	NPT1/4" F	39	25.8
ZL4173M10FF	NPT3/8" F	NPT3/8" F	39	25.8
ZL4173M15FF	NPT1/2" F	NPT1/2" F	41.5	27