

# Ball Valve

Data sheet  
ZL-4190 series



## Description

- ⊗ Low flow resistance
- ⊗ Excellent pressure resistance
- ⊗ Rapid opening and close
- ⊗ Compact structure and small volume

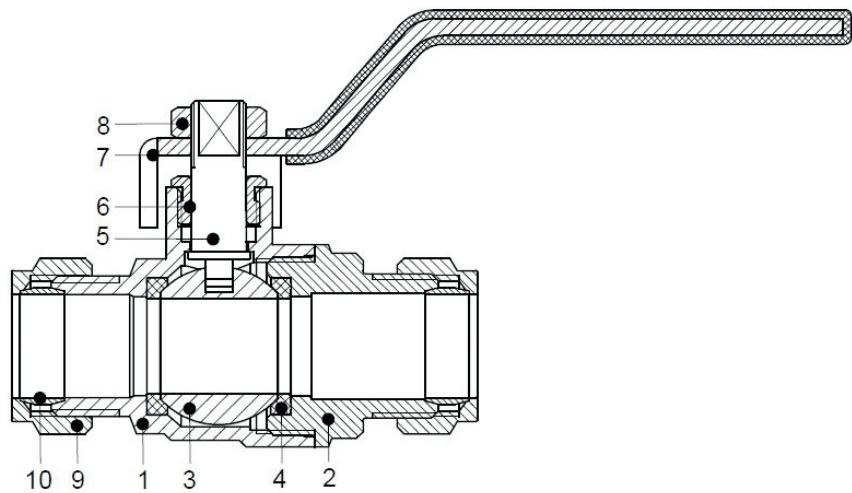
## Performance

- ⊗ Applicable medium: Water、glycol solutions  
Max. percentage of glycol is 30%
- ⊗ Working pressure:  $\leq 1.6\text{mpa}$
- ⊗ Operating temperature:  $0\sim 100^{\circ}\text{C}$
- ⊗ Thread standard: ISO228-1



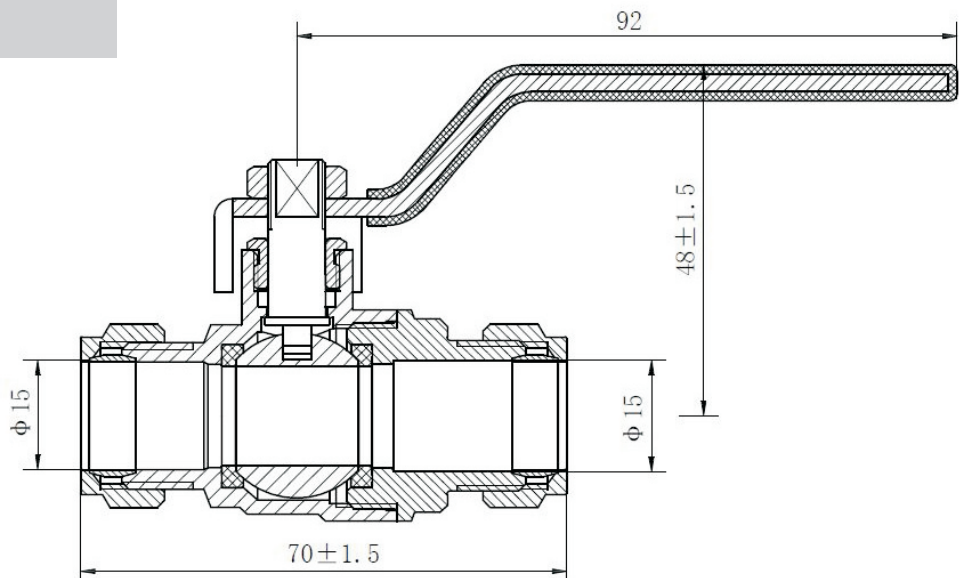
## Materials

No.	Components	Material
1	Valve Body	Brass
2	Valve nut	Brass
3	Valve Ball	Brass
4	Plastic spring	PTFE
5	Valve Stem	Brass
6	Gland Nut	Brass
7	Handle	AL
8	Lock Nut	Q235
9	hexagon nut	Brass
10	Ferrule	Brass

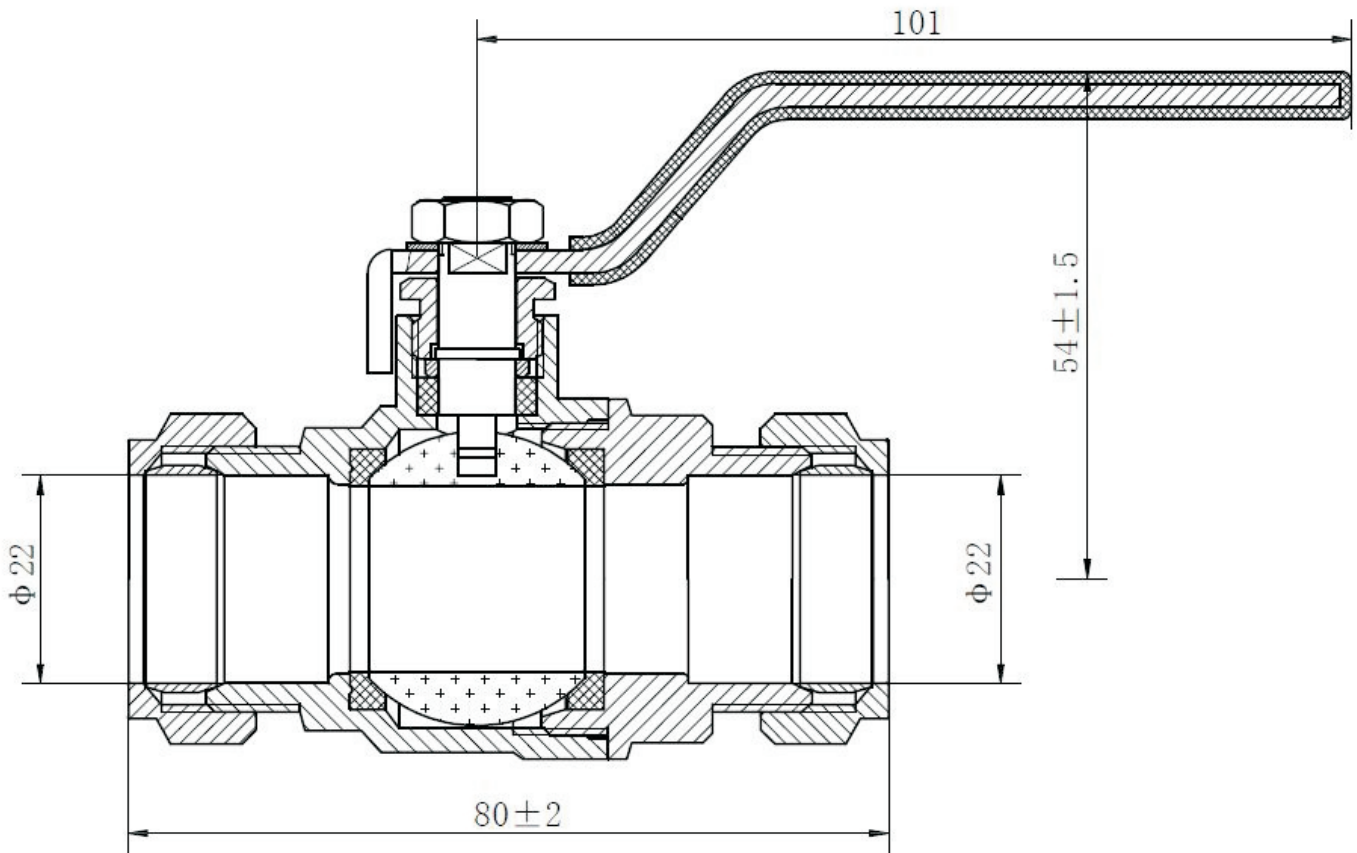


## Dimensions

Code: ZL41901515



**Code:ZL41902222**



**Code:ZL41902828**

