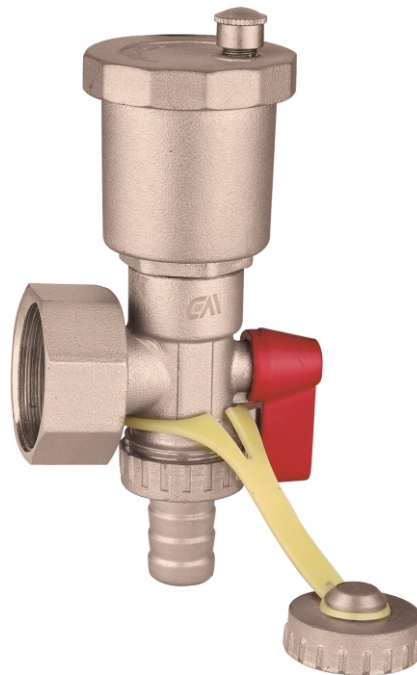


# End Pieces DATA SHEET ZL-2812



## Description

The end pieces are specially designed for water manifold, and integrate automatic exhaust and drainage function.

## Technical Specifications

### Performance

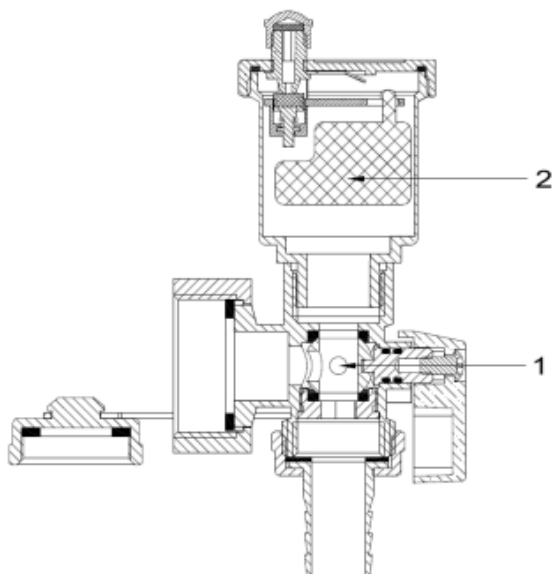
- Applicable medium: Water, glycol solutions  
Max. percentage of glycol is 30%
- Maximum pressure for air valve: 10bar
- Maximum working temperature: 110°C

### Materials

Valve Body	Brass
Handle	AL
Seals	EPDM

## Characteristic Components

1-Drain valve	2-Air vent
---------------	------------



## Dimensions

Code	ZL2812
------	--------

