

## Safety Valve and Safety Units

### DATA SHEET

ZL-715、ZL-715B、ZL-4020、ZL4021、ZL-4022



**ZL-715**



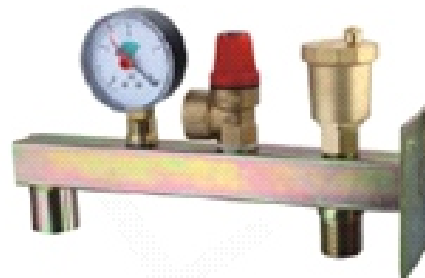
**ZL-715B**



**ZL-4020**



**ZL4021**



**ZL-4022**

## Description

The safety valve is used in the HVAC system to prevent high pressure in the system.

The safety units are designed for closed heating system with automatic air valve, safety valve and pressure gauge. The safety units have an additional threaded output to connect the expansion tank.

The safety units provide the following functions: protection against high pressure in the system, air and gas exhaust, pressure indication.

## Technical Specifications

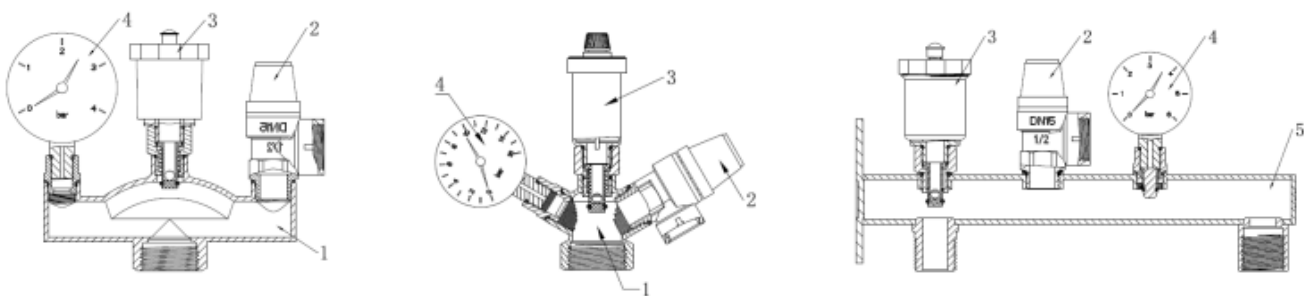
### Performance

- Applicable medium: cold water, hot water
- Maximum pressure for air valve: 10bar
- Maximum pressure for safety valve: 3bar
- Maximum working temperature: 110°C

### Materials

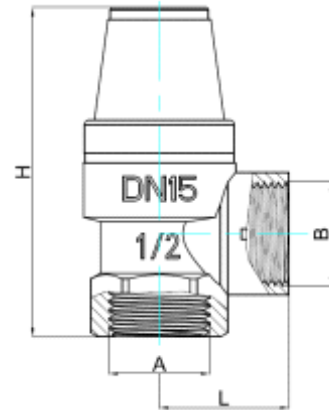
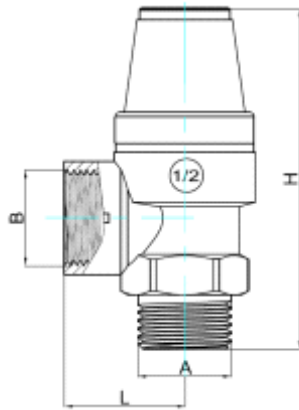
Valve Body	Brass
Expansion tank support	A3
Spring	Steel
Handwheel	Plastic
Seals	EPDM

## Characteristic Components



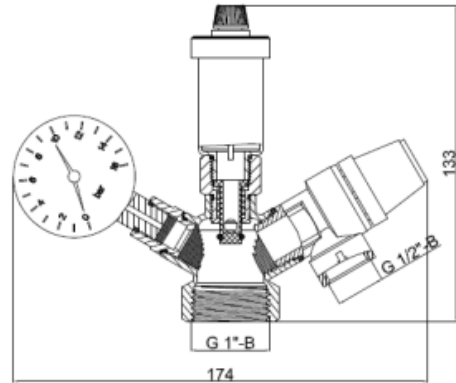
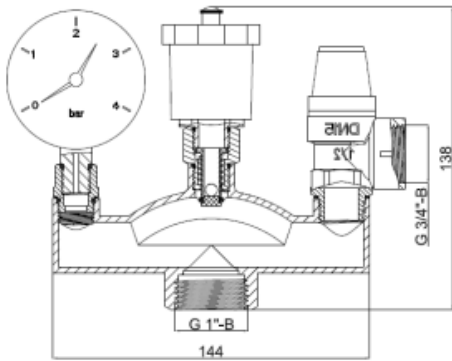
No.	Components	Descriptions
1	Valve body	Body surface natural color and sandblasted
2	Safety valve	Protect against high pressure in the system
3	Automatic air valve	With non-return component, automatic exhaust the air and gas from the system
4	Pressure gauge	Indicate the system pressure in real time
5	Expansion tank support	Surface sandblasted and color zinc plated

# Dimensions



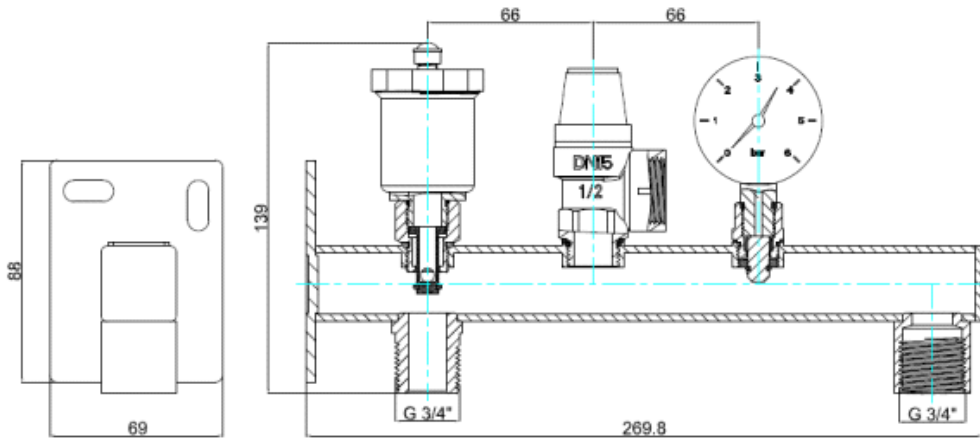
Code	A	B	L	H
ZI7151212	1/2"	1/2"	26.5	75
ZI7151234	1/2"	3/4"	29	77

Code	A	B	L	H
ZL715B1212	1/2"	1/2"	26.5	67
ZL715B1234	1/2"	3/4"	28	68.5



<b>Code</b>	ZI40200134
-------------	------------

<b>Code</b>	ZI40210112
-------------	------------



<b>Code</b>	ZI40223434
-------------	------------