

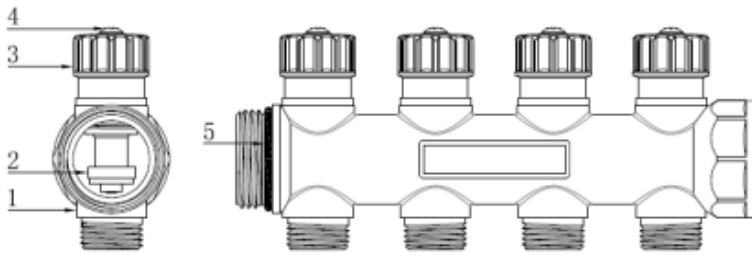
BRASS MANIFOLD
DATA SHEET
ZL-1134 series



Performances

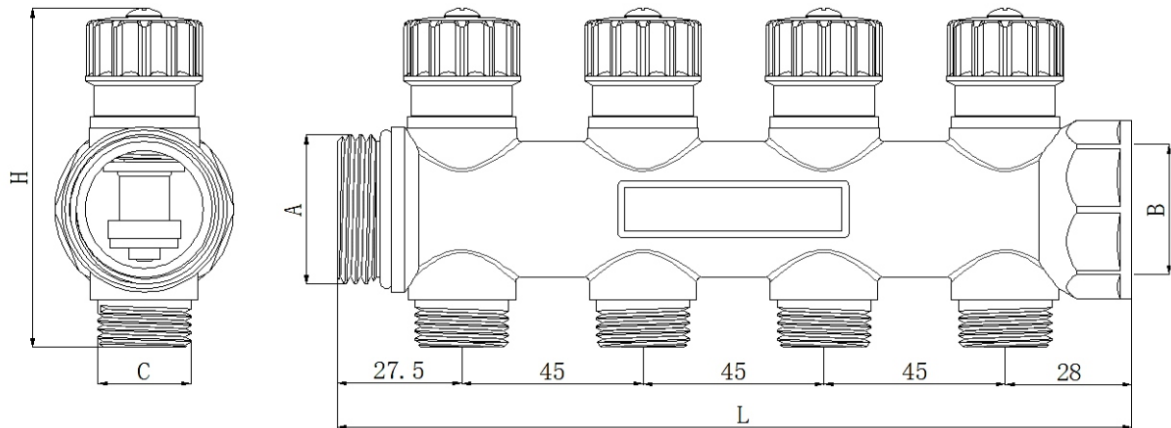
Medium	Water, glycol solutions (Max. percentage of glycol is 30%)
Working temperature range	5~100°C
Maximum working pressure	10bar
Centre distance	45mm
Materials	Brass

Characteristic Components



No.	Components	Material
1	Manifold Body	Brass
2	valve core	Brass
3	Handwheel	ABS
4	The cross screw	A304
5	Seals	EPDM

Dimensions



Code	No. of outlets	A	B	C	L	H
ZL113420002	2	G3/4"	G3/4"	G1/2"	97.5	66
ZL113420003	3				142.5	
ZL113420004	4				187.5	
ZL113425002	2	G1"	G1"	G1/2"	100.5	75
ZL113425003	3				145.5	
ZL113425004	4				190.5	