

End Pieces DATA SHEET ZL-2811 series



Description

The end pieces are specially designed for water manifold, and integrate automatic exhaust and drainage function.

Technical Specifications

Performance

- Applicable medium: Water、 glycol solutions
Max. percentage of glycol is 30%
- Maximum pressure for air valve: 10bar
- Maximum working temperature: 110°C

Materials

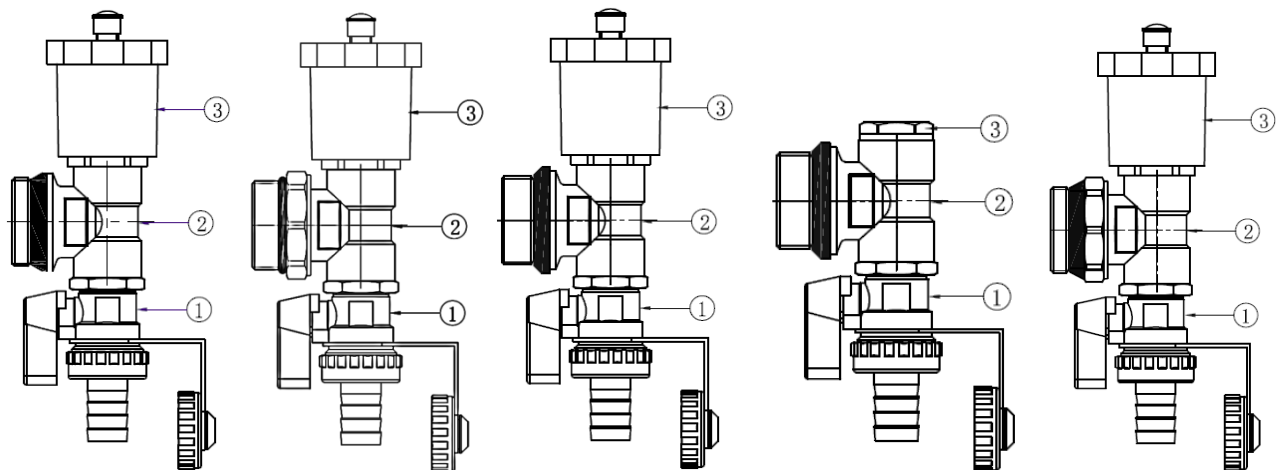
| | |
|------------|-------|
| Valve Body | Brass |
| Handle | AL |
| Seals | EPDM |

Characteristic Components

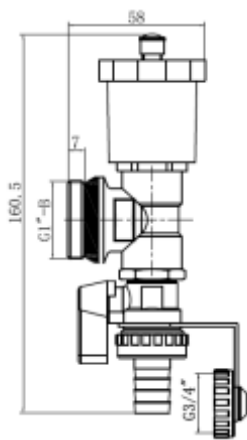
①-Drain valve(ZL424712)

②-Triple-valve body

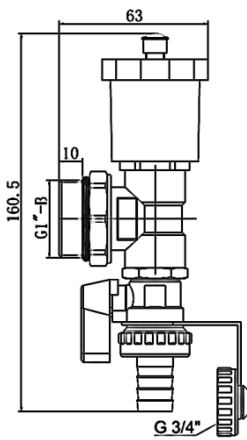
③-Air vent(ZL7311)/Plug



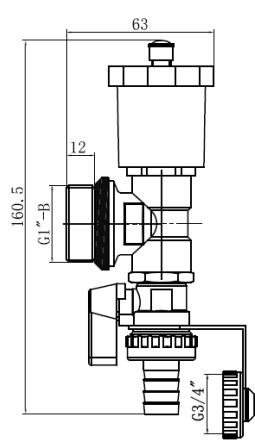
Dimensions



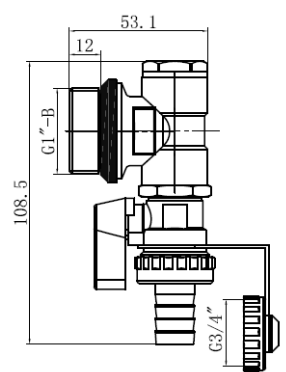
| | |
|------|--------|
| Code | ZL2811 |
|------|--------|



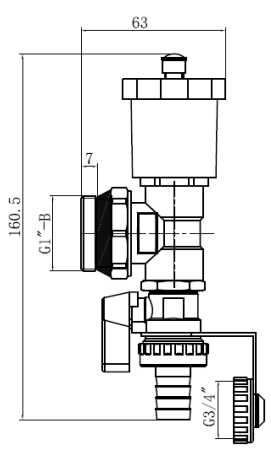
| | |
|------|---------|
| Code | ZL2811A |
|------|---------|



| | |
|------|---------|
| Code | ZL2811B |
|------|---------|



| | |
|------|---------|
| Code | ZL2811C |
|------|---------|



| | |
|------|---------|
| Code | ZL2811D |
|------|---------|