

# Ball Valve

## Data sheet

### ZL-M200A series



## Description

- ∞ Low flow resistance
- ∞ Excellent pressure resistance
- ∞ Rapid opening and close
- ∞ Compact structure and small volume



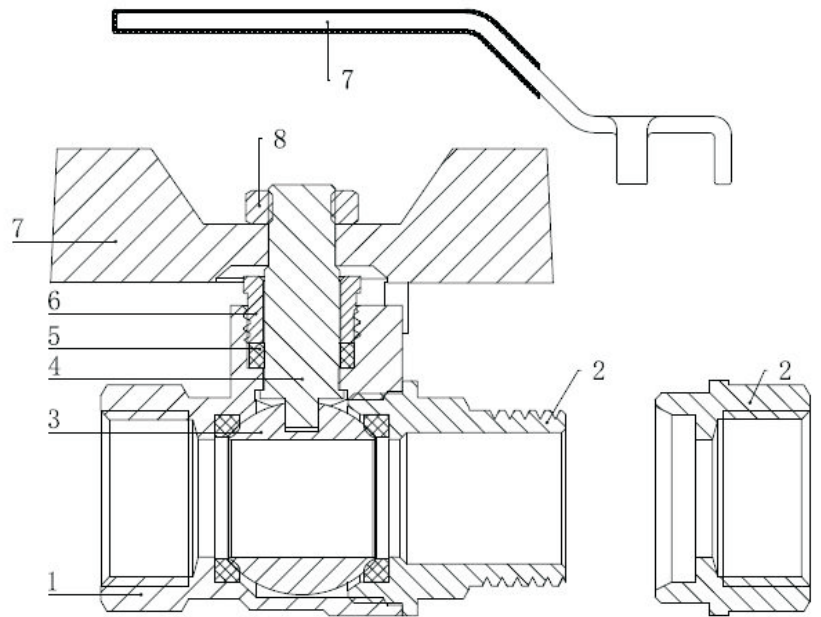
## Performance

- ∞ Applicable medium: Water、 glycol solutions  
Max. percentage of glycol is 30%
- ∞ Working pressure:  $\leq 1.6\text{mpa}$
- ∞ Operating temperature:  $0\sim 100^{\circ}\text{C}$
- ∞ Thread standard: ISO228-1

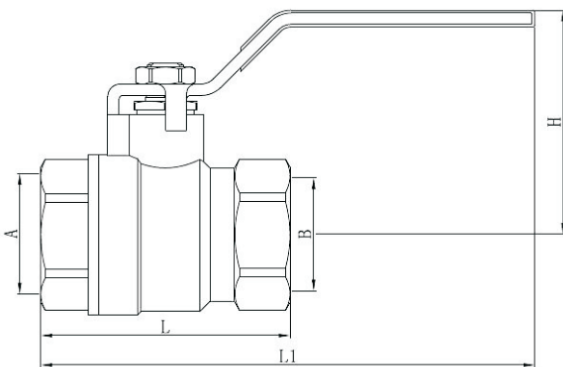


## Materials

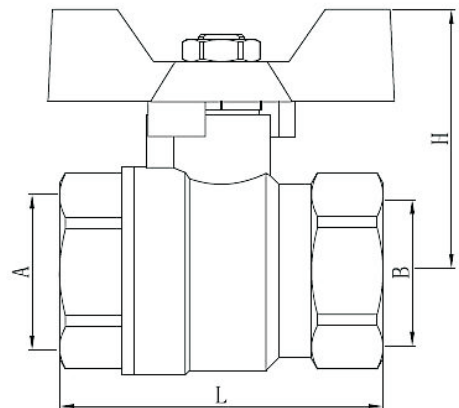
No.	Components	Material
1	Valve Body	Brass
2	Valve nut	Brass
3	Valve Ball	Brass
4	Valve Stem	Brass
5	Packing	PTFE
6	Gland Nut	Brass
7	Handle	AL
8	Lock Nut	Q235



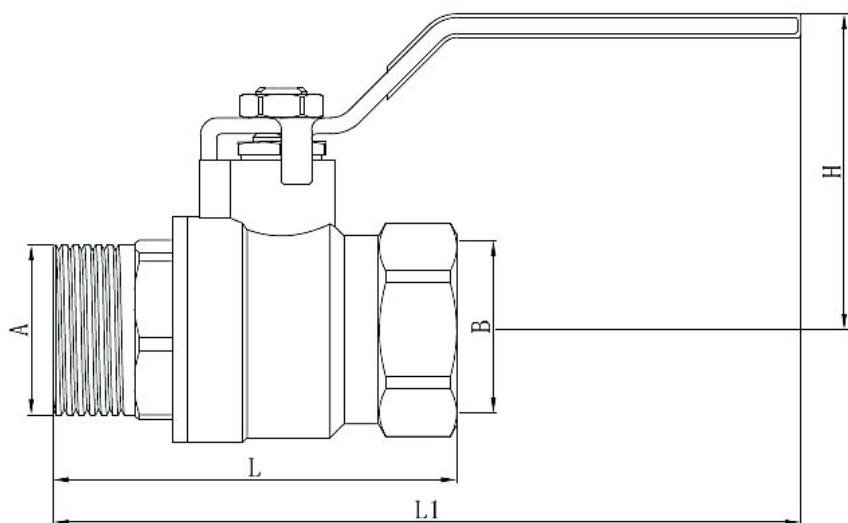
## Dimensions



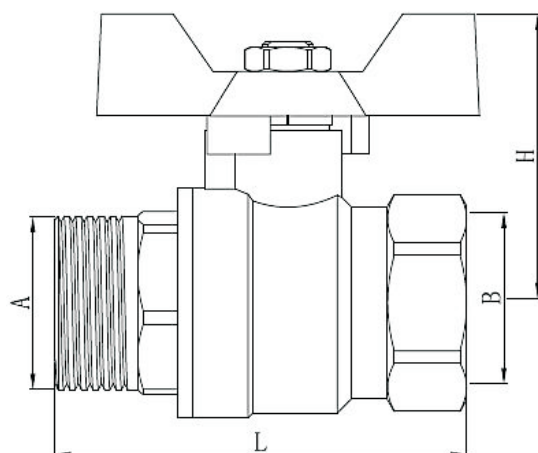
Code:ZLM200AXXFFC



Code:ZLM200AXXFFD



Code:ZLM200AXXFCM



Code:ZLM200AXXFMD

Code	A	B	L	L1	H
ZLM200A15FFC	G1/2" F	G1/2" F	48	107	46
ZLM200A15FFD	G1/2" F	G1/2" F	48	-	41
ZLM200A15FMC	G1/2" M	G1/2" F	55.5	114.5	46
ZLM200A15FMD	G1/2" M	G1/2" F	55.5	-	41
ZLM200A20FFC	G3/4" F	G3/4" F	62.4	114.5	53.6
ZLM200A20FFD	G3/4" F	G3/4" F	62.4	-	54.2
ZLM200A20FMC	G3/4" M	G3/4" F	72	124	53.6
ZLM200A20FMD	G3/4" M	G3/4" F	72	-	54.2
ZLM200A25FFC	G1" F	G1" F	69.7	141.5	63.7
ZLM200A25FFD	G1" F	G1" F	69.7	-	62.5
ZLM200A25FMC	G1" M	G1" F	83.2	155	63.7
ZLM200A25FMD	G1" M	G1" F	83.2	-	62.5