

**Stainless Steel Low Pressure Pipe Fittings -
STREET ELBOW
DATA SHEET
ZL-S8506 Series**



Description

Brought to you by ZL, a series of stainless steel threaded fittings, suitable for applications requiring a secure and reliable pipe connection. Heavily used within the plumbing industry, water and gas will flow through in a tightly sealed construction. These 90 degree elbow fittings are made from a durable 316 stainless steel to ensure a simple and secure connection for pipe and hose work. All models are highly reliable and excellent quality.

Available in a variety of sizes:

S8506-1/4"M*1/4"F-01
S8506-3/8"M*3/8"F-01
S8506-1/2"M*1/2"F-01
S8506-3/4"M*3/4"F-01
S8506-1"M*1"F-01
S8506-1 1/4"M*1 1/4"F-01
S8506-1 1/2"M*1 1/2"F-01
S8506-2"M*2"F-01

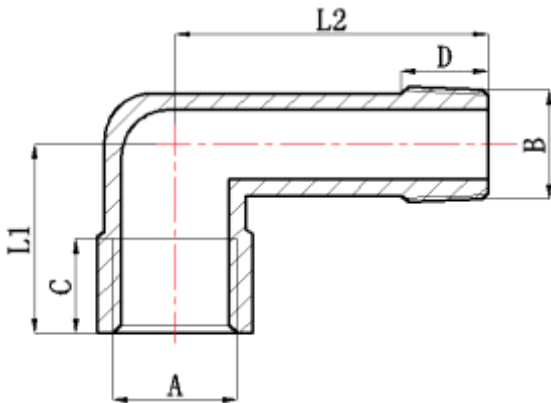
FEATURES

- ⌘ 316 Stainless Steel
- ⌘ 150lbs fitting
- ⌘ BSP female and BST male connections
- ⌘ Various sizes available
- ⌘ 90 degree angled

General Specifications

Connection 1	1/4 in to 2 in G Female
Connection 2	1/4 in to 2 in R Male
Fitting Type	Elbow
Fitting Direction	90°
Connection Gender 1	Female
Connection Gender 2	Male
Thread Standard 1	G
Thread Standard 2	R
Material	316 Stainless Steel
Application	All throughout the home (bathroom, kitchen etc.)Any building with running water, heating or gas; Sewage and underground networks; Ships and boats; Car engines

Dimensions



Code	A	B	C	D	L1	L2	Weight(g)
ZLS8506DN08	G1/4"	R1/4"	11	12.5	19	28	27.4
ZLS8506DN10	G3/8"	R3/8"	11.5	13	23	32	40.0
ZLS8506DN15	G1/2"	R1/2"	10.5	16	27	37	61.4
ZLS8506DN20	G3/4"	R3/4"	11.5	17	32	43	100.0
ZLS8506DN25	G1"	R1"	13	19.5	37	52	149.0
ZLS8506DN32	G1 1/4"	R1 1/4"	15	22	43	59	249.0
ZLS8506DN40	G1 1/2"	R1 1/2"	16	22	48	64	339.0
ZLS8506DN50	G2"	R2"	18.5	25	56	74	493.0