

**Stainless Steel Low Pressure Pipe Fittings -
HEX. BUSH
DATA SHEET
ZL-S8509 Series**



Description

Brought to you by ZL, a series of stainless steel threaded fittings, suitable for applications requiring a secure and reliable pipe connection. Heavily used within the plumbing industry, water and gas will flow through in a tightly sealed construction. These pipe fittings are made from a durable 316 stainless steel material and are available in various sizes to make sure there's a perfect fit. All models are highly reliable and excellent quality.

Available in a variety of sizes:

S8509-1/2"M*3/8"F-01	S8509-11/4"M*1"F-01
S8509-1/2"M*1/4"F-01	S8509-11/2"M*1/2"F-01
S8509-3/4"M*1/2"F-01	S8509-11/2"M*3/4"F-01
S8509-1"M*1/2"F-01	S8509-11/2"M*1"F-01
S8509-1"M*3/4"F-01	S8509-2"M*3/4"F-01
S8509-11/4"M*1/2"F-01	S8509-2"M*1"F-01
S8509-11/4"M*3/4"F-01	S8509-2"M*1/2"F-01

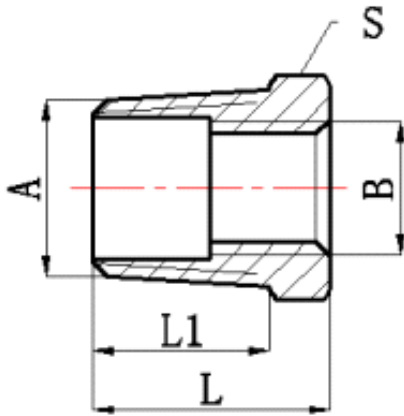
FEATURES

- ∞ 316 Stainless Steel
- ∞ 150lbs fitting
- ∞ With BSPT (Tapered) and BSPP (Parallel) connections
- ∞ Chemical Resistance

General Specifications

Shape	Hexagon
Fitting Type	Bush
Connection Gender 1	Male
Connection Gender 2	Female
Thread Standard 1	R
Thread Standard 2	G
Material	316 Stainless Steel
Application	All throughout the home (bathroom, kitchen etc.)Any building with running water, heating or gas; Sewage and underground networks; Ships and boats; Car engines

Dimensions



Code	A	B	L	L1	S	Weight(g)
ZLS8509DN15DN10	R1/2"	G3/8"	23	16.5	SW22	26.8
ZLS8509DN15DN08	R1/2"	G1/4"	23	16.5	SW22	32.2
ZLS8509DN20DN15	R3/4"	G1/2"	24.5	17.5	SW28	41.7
ZLS8509DN25DN15	R1"	G1/2"	27	19.5	SW35	81.0
ZLS8509DN25DN20	R1"	G3/4"	27	19.5	SW35	67.0
ZLS8509DN32DN15	R1 1/4"	G1/2"	29	21	SW44	122.5
ZLS8509DN32DN20	R1 1/4"	G3/4"	29	21	SW44	131.5
ZLS8509DN32DN25	R1 1/4"	G1"	29	21	SW44	106.0
ZLS8509DN40DN15	R1 1/2"	G1/2"	30	21.5	SW50	158.0
ZLS8509DN40DN20	R1 1/2"	G3/4"	30	21.5	SW50	151.4
ZLS8509DN40DN25	R1 1/2"	G1"	30	21.5	SW50	165.0
ZLS8509DN50DN20	R2"	G3/4"	34	25	SW62	243.5
ZLS8509DN50DN25	R2"	G1"	34	25	SW62	243.0
ZLS8509DN50DN15	R2"	G1/2"	34	25	SW62	241.0